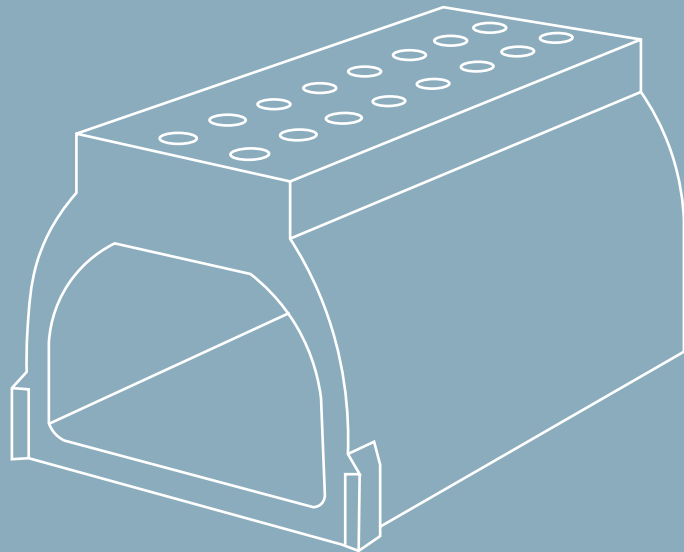




## Surface Water Management



2025

Product Price List

ACO Wildlife

Effective January 1, 2025

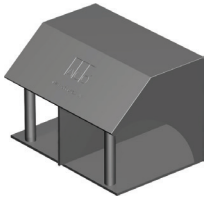
KT500 Tunnel - 39.37" (1 m)



**Tunnels  
(Polymer Concrete)**

	Part No.	Price \$	Weight lbs	Pallet Qty
KT500 Tunnel - 39.37" (1 m)	11120	<b>1,106.00</b>	566.5	1

Tunnel Entrance



**Tunnel Entrance  
(Recycled Plastic)**

	Part No.	Price \$	Weight lbs	Pallet Qty
Tunnel Inlet	99712	<b>916.00</b>	46.0	1
Optional Entrance Swallowtail - 78.74" (2 m)	99707	<b>147.00</b>	8.5	1

Fence - 39.37" (1 m)



**Fencing System  
(Recycled Plastic)**

	Part No.	Price \$	Weight lbs	Pallet Qty
Fence - 39.37" (1 m)	99705	<b>62.00</b>	17.6	1
Post	99708	<b>13.00</b>	2.5	1
Anchor Nails - Bag of 20	99710	<b>19.00</b>	1.5	-

Amphibian Guide Wall



**ACO PRO Amphibian Wall  
(Polymer Concrete)**

	Part No.	Price \$	Weight lbs	Pallet Qty
Amphibian Guide Wall	17845	<b>270.00</b>	101.4	8
Amphibian Guide Wall - Inner Curve	18407	<b>246.00</b>	55.2	8
Amphibian Guide Wall - Outer Curve	18408	<b>246.00</b>	55.2	8
Amphibian Guide Wall - Ascending Element	18406	<b>246.00</b>	53.0	8
Amphibian Guide Wall - Cascading Element	18405	<b>246.00</b>	59.6	8

Amphibian Guide Wall - Inner Curve



Amphibian Guide Wall - Outer Curve



Amphibian Guide Wall - Ascending Element



Amphibian Guide Wall - Cascading Element



**ACO Climate Tunnel  
(Polymer Concrete)**

	Part No.	Price \$	Weight lbs	Pallet Qty
Climate Tunnel Entrance	11124	<b>1,843.00</b>	626.1	1
Climate Plate	11127	<b>86.00</b>	35.3	45
Stepdown Plate	11129	<b>129.00</b>	15.2	25
Climate Tunnel Entrance (Right Wing)	11125	<b>417.00</b>	148.8	2
Climate Tunnel Entrance (Left Wing)	11126	<b>417.00</b>	146.6	2

Climate Tunnel Entrance



Climate Plate



Stepdown Plate



Climate Tunnel Entrance  
(Right Wing)



Climate Tunnel Entrance  
(Left Wing)



**ACO Terms & Conditions**

**PAYMENT** - All pricing is in U.S. Dollars.

**TERMS** - Net 30 days from date of invoice. A service charge of 1.5% per month will be charged on all invoices unpaid 30 days after invoice date (equal to 18% annually).

**FREIGHT** - F.O.B. ACO

**PRODUCT AVAILABILITY** - Call Customer Service for current stock availability and lead times.

**MISSING MATERIAL** - Missing material must be reported to ACO's Customer Service Department within 48 hours of receipt of shipment.

**DAMAGED MATERIAL** - Damaged material must be noted on the bill of lading at final destination point. The receiver must file a freight claim with the carrier. ACO is not responsible for material damaged in transit.

**TAXES** - All State and Federal taxes are additional.

**CHANGES** - ACO, Inc. reserves the right to change prices, design, and materials of any products listed at any time.

**RETURNS** - Returned materials are subject to a 25% restocking charge. Prior return authorization (RGA) must be obtained from ACO before any material is shipped. Returned materials are subject to the following conditions:

- a) Items returned in a condition that does not allow for refurbish and resale will not be credited.
- b) Material must be returned to ACO within 30 days of receipt of RGA.
- c) All freight costs are the responsibility of those returning the material.
- d) All non-standard and fabricated material cannot be returned for credit.



Full ACO, Inc. Terms  
and Conditions of Sale

© January 2025 ACO, Inc.  
Print WL\_PL2025\_01

**ACO, Inc.**

Tel: (888) 490-9552  
Fax: (520) 421-9899

West Sales Office  
825 W. Beechcraft Street  
Casa Grande, AZ 85122

Northeast Sales Office  
9470 Pinecone Drive  
Mentor, OH 44060

Southeast Sales Office  
481 Munn Road  
Suite 225  
Fort Mill, SC 29715

info@acousa.com  
www.acoswm.com

