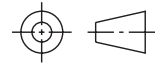
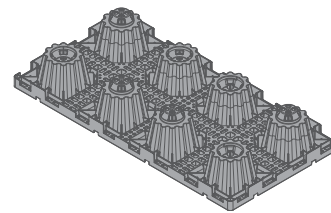
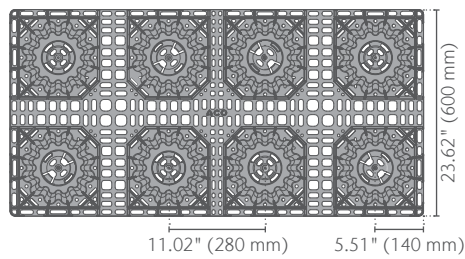
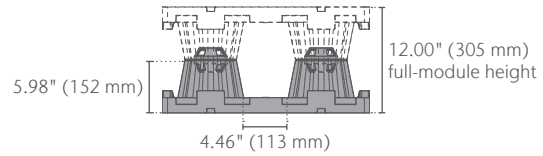
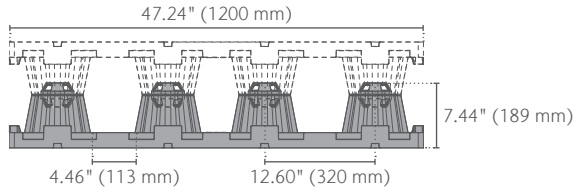


# StormBrixx 300 SD



## Half-Module 300 SD

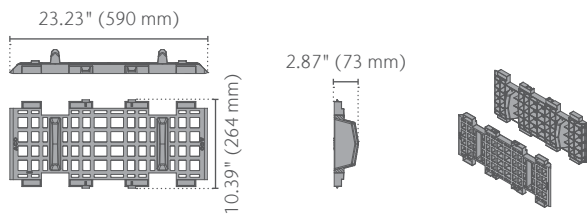
part no. 138574



Note: (2) half-modules are connected to form (1) full-module. (1) side panel fits (1) full-module.

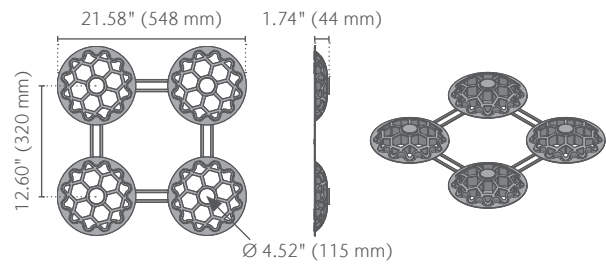
## Side Panel 300 SD

part no. 138573



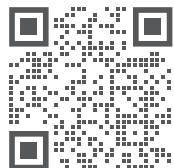
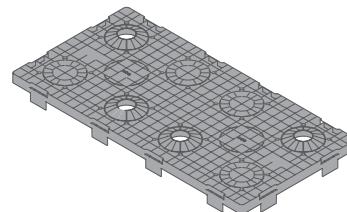
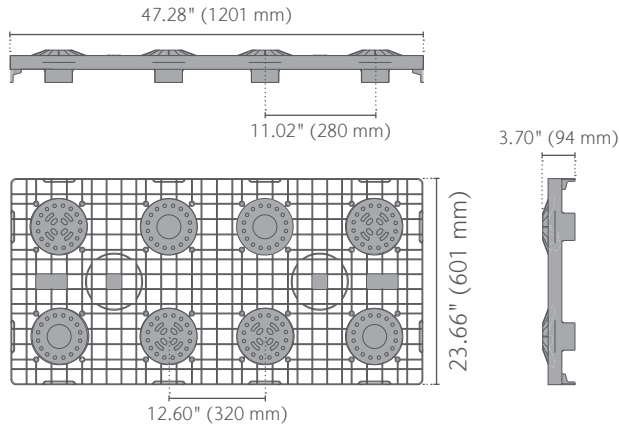
## Universal Top Cover

part no. 140213



## Half-Layer Top Plate

part no. 314094

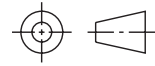


Telephone #: 888.490.9552



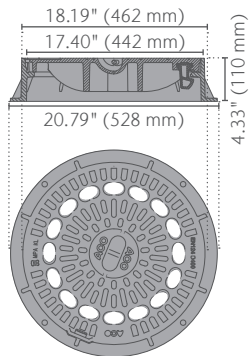
ACO Specification Information

# StormBrixx 300 SD



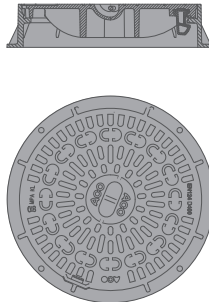
## Remote Access Cover (Vented)

part no. 314133



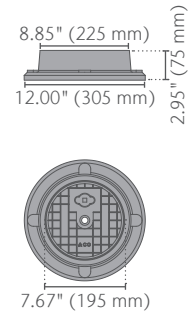
## Remote Access Cover (Non-Vented)

part no. 314132



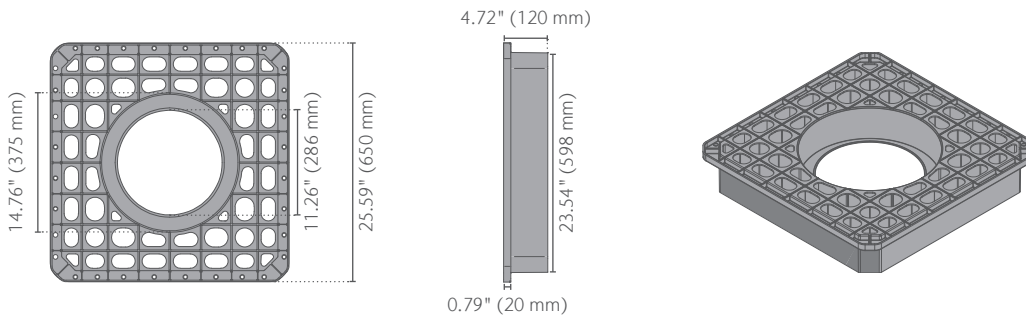
## Inspection Point Cover

part no. 314044



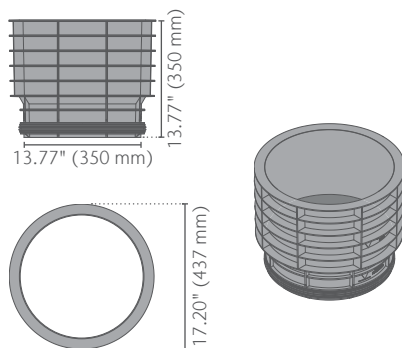
## Remote Access Plate

part no. 314075



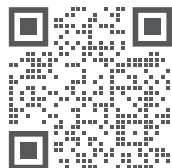
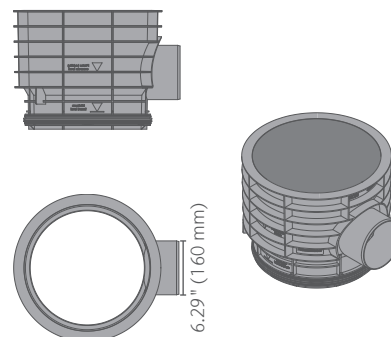
## Extension Shaft

part no. 314038



## Extension Shaft with Pipe Socket

part no. 314039

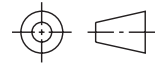


Telephone #: 888.490.9552



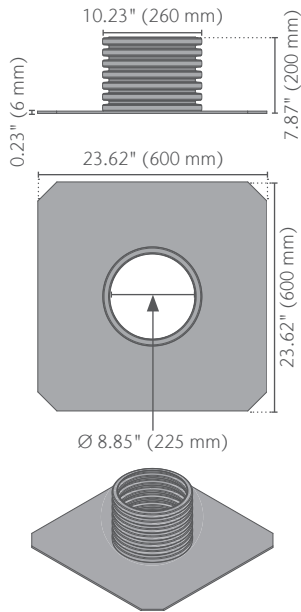
ACO Specification Information

# StormBrixx 300 SD



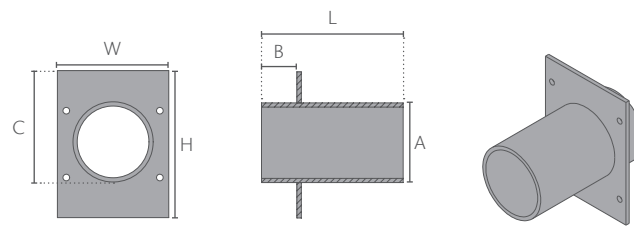
## Vertical Inspection Point Connector

part no. 27018



## Horizontal Pipe Connector

part no.: see chart

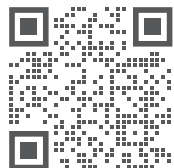


Part No.	A	B	C	H	W	L
		in (mm)	in (mm)	in (mm)	in (mm)	in (mm)
<b>93139</b>	4" SDR 35	2.00 (51)	6.25 (158)	8.25 (209)	6.70 (170)	8.00 (203)
<b>93145</b>	4" SCH 40	2.00 (51)	7.47 (189)	8.29 (210)	6.70 (170)	8.00 (203)
<b>93140</b>	6" SDR 35	2.00 (51)	8.95 (227)	9.93 (252)	10.22 (259)	8.00 (203)
<b>93146</b>	6" SCH 40	2.00 (51)	9.11 (231)	9.93 (252)	10.22 (259)	8.00 (203)
<b>93141</b>	8" SDR 35	2.00 (51)	10.46 (265)	11.39 (289)	11.64 (295)	8.00 (203)
<b>93147</b>	8" SCH 40	2.00 (51)	10.57 (268)	11.39 (289)	11.64 (295)	8.00 (203)

## Product Details

Product Name	Part No.	Length in (mm)	Width in (mm)	Depth in (mm)	Weight lbs
Half-Module 300 SD	<b>138574</b>	47.24 (1200)	23.62 (600)	7.44 (189)	13.8
Side Panel 300 SD	<b>138573</b>	23.23 (590)	10.39 (264)	2.87 (73)	1.8
Universal Top Cover	<b>140213</b>	21.58 (548)	21.58 (548)	1.74 (44)	1.3
Half-Layer Top Plate	<b>314094</b>	47.28 (1201)	23.66 (601)	3.70 (94)	7.7
Layer Connector	<b>314093</b>	2.11 (54)	1.75 (44)	1.05 (27)	0.1
Remote Access Cover (Vented) - Ductile Iron (Load Class D400)	<b>314133</b>	-	Ø 20.79 (528)	4.33 (110)	83.6
Remote Access Cover (Non-Vented) - Ductile Iron (Load Class D400)	<b>314132</b>	-	Ø 20.79 (528)	4.33 (110)	86.5
Inspection Point Cover - Ductile Iron (Load Class D400)	<b>314044</b>	-	Ø 8.85 (225)	2.95 (75)	34.5
Remote Access Plate	<b>314075</b>	25.59 (650)	25.59 (650)	4.72 (120)	10.8
Extension Shaft	<b>314038</b>	-	Ø 17.20 (437)	13.77 (350)	4.8
Extension Shaft with Pipe Socket	<b>314039</b>	-	Ø 17.20 (437)	13.77 (350)	6.2
Vertical Inspection Point Connector	<b>27018</b>	-	Ø 8.85* (225)	7.87 (200)	5.5
4" SDR 35 Horizontal Pipe Connector	<b>93139</b>	8.00 (203)	6.70 (170)	8.25 (209)	1.9
4" SCH 40 Horizontal Pipe Connector	<b>93145</b>	8.00 (203)	6.70 (170)	8.29 (210)	1.9
6" SDR 35 Horizontal Pipe Connector	<b>93140</b>	8.00 (203)	10.22 (259)	9.93 (252)	3.2
6" SCH 40 Horizontal Pipe Connector	<b>93146</b>	8.00 (203)	10.22 (259)	9.93 (252)	3.2
8" SDR 35 Horizontal Pipe Connector	<b>93141</b>	8.00 (203)	11.64 (295)	11.39 (289)	5.5
8" SCH 40 Horizontal Pipe Connector	<b>93147</b>	8.00 (203)	11.64 (295)	11.39 (289)	5.5

\* Internal width

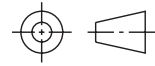


Telephone #: 888.490.9552



ACO Specification Information

# StormBrixx 300 SD



## Specification Summary

### General

The StormBrixx stormwater management system shall be ACO StormBrixx 300 SD as supplied by ACO, Inc.

ACO StormBrixx 300 SD meets AASHTO HS-20 loading conditions.

### Geomembranes/Geotextiles

The StormBrixx stormwater system shall be wrapped in either appropriate permeable geotextile or impermeable geomembrane (supplied and specified by others) as indicated by project design engineer.

### Accessories

The StormBrixx stormwater system may be used in conjunction with one or more optional products: remote access plate extension shaft and/or inspection point connector.

### Installation

The StormBrixx stormwater system shall be installed in strict accordance with the manufacturer's installation instructions and recommendations.

### Materials

The half-module shall be manufactured from polypropylene and have minimum properties as follows:

■ Charpy unnotched impact strength:	1.4 ft-lb/in <sup>2</sup> (3 kJ/m <sup>2</sup> )
■ Tensile strength, ultimate:	3,480 psi (23,994 kPa)
■ Water absorption:	0.01%
■ Frost proof:	YES
■ Salt proof:	YES
■ Fuels/oils-resistant:	YES

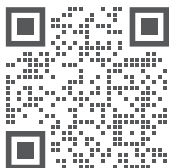
The stormwater tank shall provide an average 94% open area, holding up to 7.28 ft<sup>3</sup> (0.21 m<sup>3</sup>) per module (2 half-modules assembled) and offer full access to all areas and levels for maintenance. Configuration and use of side/top panels will marginally impact these figures.

ACO Specification Information

## ACO, Inc.

© December 2024 ACO, Inc.

All reasonable care has been taken in compiling the information in this document. All recommendations and suggestions on the use of ACO products are made without guarantee since the conditions of use are beyond the control of the company. It is the customer's responsibility to ensure that each product is fit for its intended purpose and that the actual conditions of use are suitable. ACO, Inc. reserves the right to change products and specifications without notice.



Telephone #: 888.490.9552

