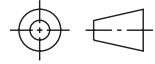
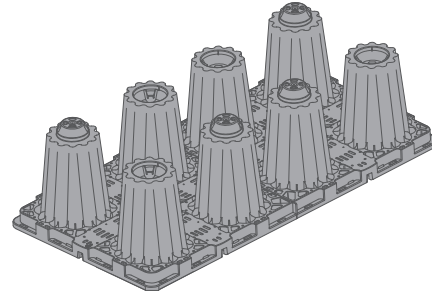
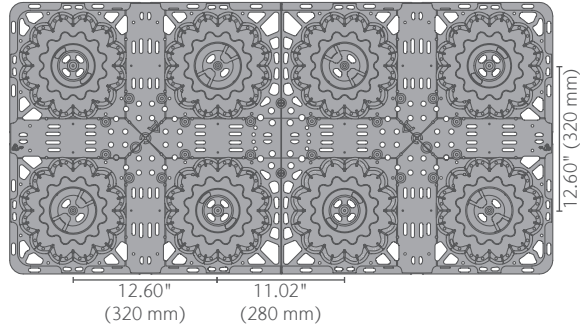
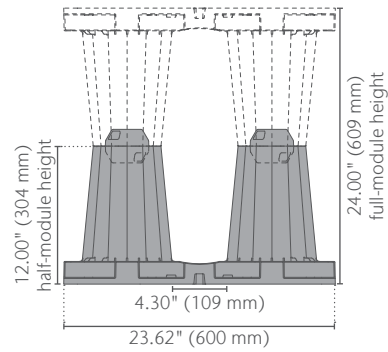
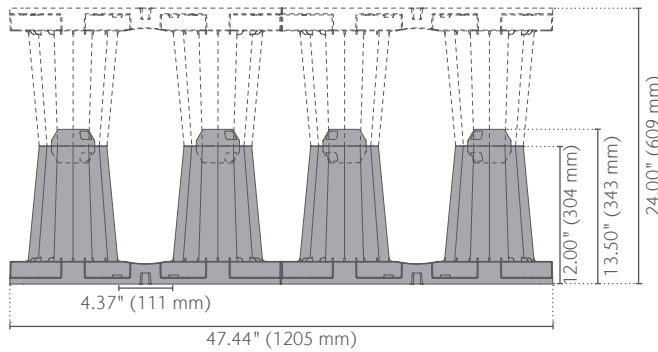


StormBrixx HD



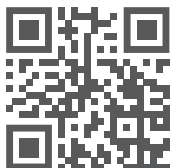
Half-Module HD

part no. 314061

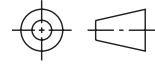


Note: (2) half-modules are connected to form (1) full-module. (1) side panel fits (1) full-module.

ACO Specification Information

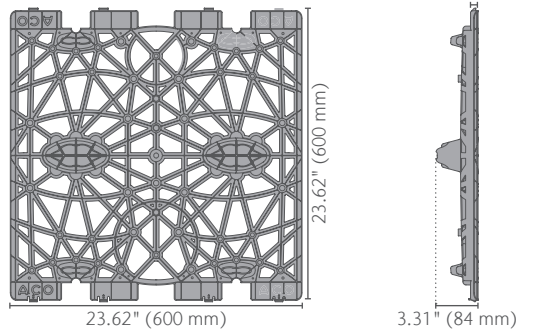


StormBrixx HD



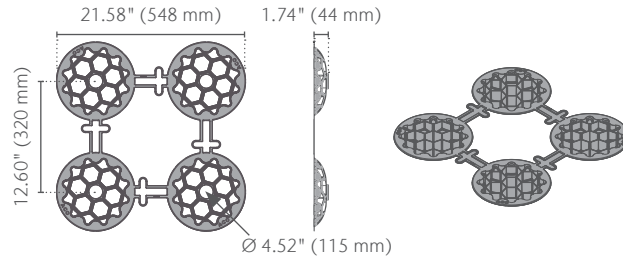
Side Panel HD

part no. 314062



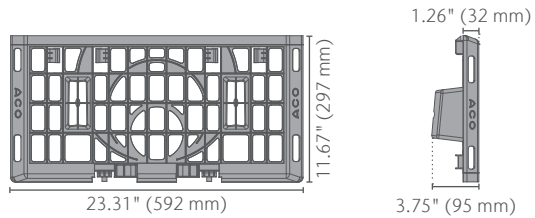
Universal Top Cover

part no. 140213



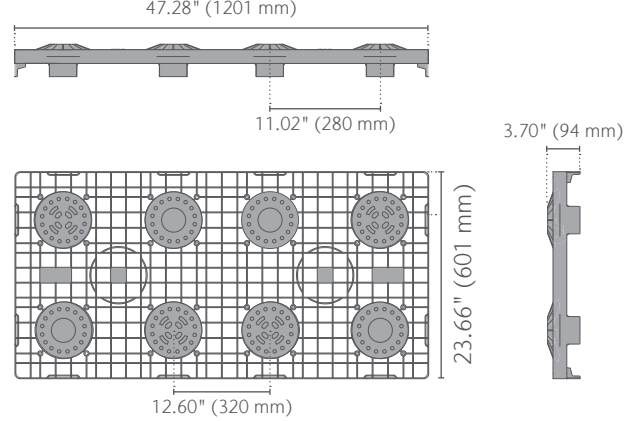
Half-Layer Side Panel HD

part no. 314095

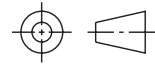


Half-Layer Top Cover

part no. 314094

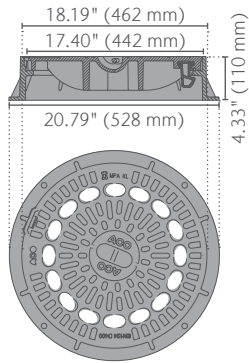


StormBrixx HD



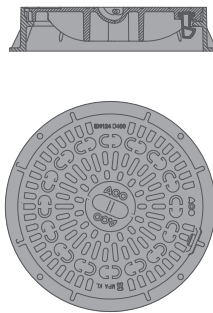
Remote Access Cover (Vented)

part no. 314133



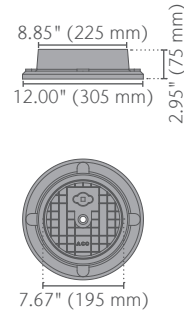
Remote Access Cover (Non-Vented)

part no. 314132



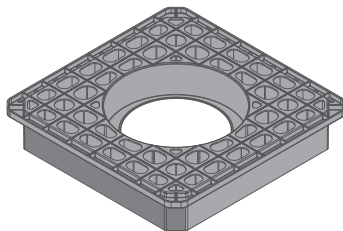
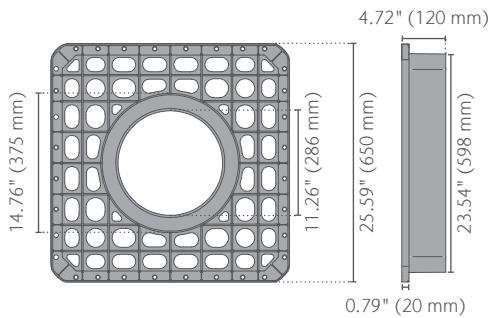
Inspection Point Cover

part no. 314044



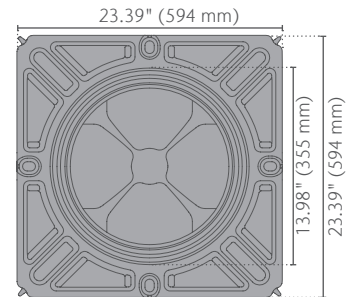
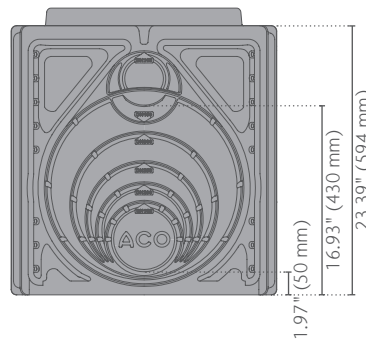
Remote Access Plate

part no. 314075



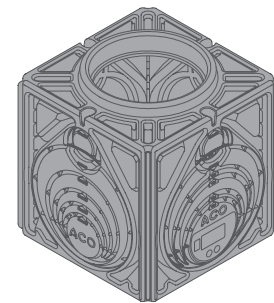
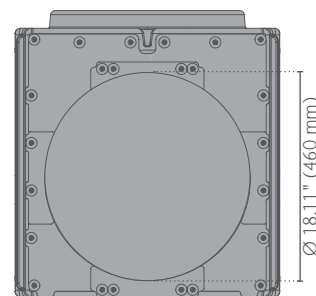
Remote Access Unit HD

part no. 27034

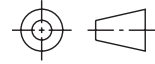


Remote Access Unit HD with Adapter Plate

part no. 138140

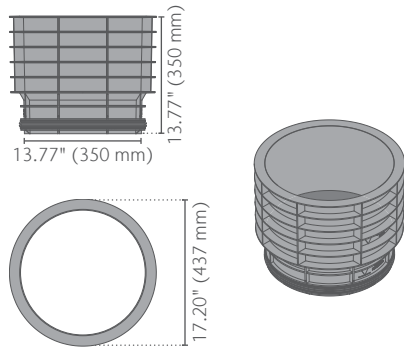


StormBrixx HD



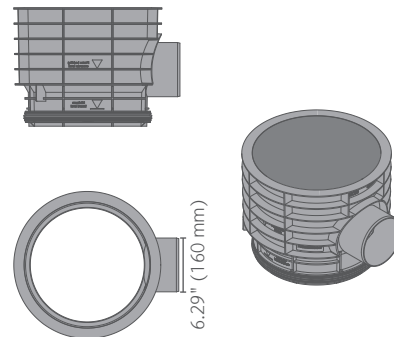
Extension Shaft

part no. 314038



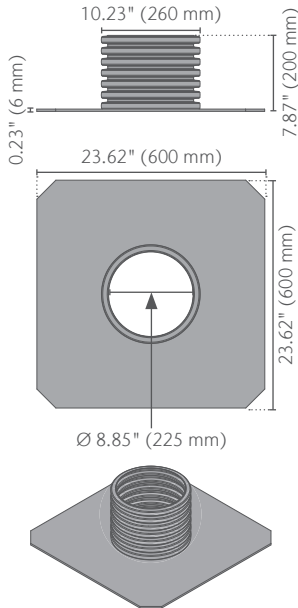
Extension Shaft with Pipe Socket

part no. 314039



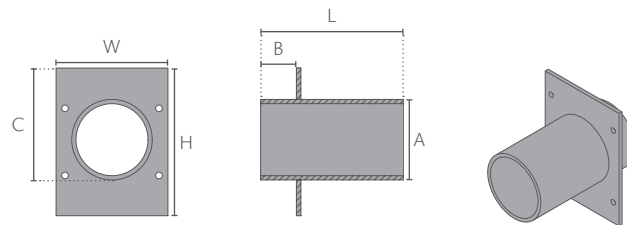
Vertical Inspection Point Connector

part no. 27018



Horizontal Pipe Connector

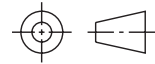
part no.: see chart



Part No.	A	B	C	H	W	L
		in (mm)	in (mm)	in (mm)	in (mm)	in (mm)
93139	4" SDR 35	2.00 (51)	6.25 (158)	8.25 (209)	6.70 (170)	8.00 (203)
93145	4" SCH 40	2.00 (51)	7.47 (189)	8.29 (210)	6.70 (170)	8.00 (203)
93140	6" SDR 35	2.00 (51)	8.95 (227)	9.93 (252)	10.22 (259)	8.00 (203)
93146	6" SCH 40	2.00 (51)	9.11 (231)	9.93 (252)	10.22 (259)	8.00 (203)
93141	8" SDR 35	2.00 (51)	10.46 (265)	11.39 (289)	11.64 (295)	8.00 (203)
93147	8" SCH 40	2.00 (51)	10.57 (268)	11.39 (289)	11.64 (295)	8.00 (203)
93142	12" SDR 35	2.00 (51)	13.48 (342)	14.30 (363)	16.66 (423)	8.00 (203)
93144	15" SCH 40	2.00 (51)	17.28 (439)	19.25 (489)	19.25 (489)	8.00 (203)



StormBrixx HD



Product Details

Product Name	Part No.	Length in (mm)	Width in (mm)	Depth in (mm)	Weight lbs
Half-Module HD	314061	47.44 (1205)	23.78 (604)	13.50 (343)	22.4
Side Panel HD	314062	23.62 (600)	23.62 (600)	2.17 (55)	3.8
Half-Layer Side Panel HD	314095	23.31 (592)	11.67 (297)	1.26 (32)	2.0
Universal Top Cover	140213	21.58 (548)	21.58 (548)	1.74 (44)	1.6
Half-Layer Top Cover	314094	47.28 (1201)	23.66 (601)	3.70 (94)	7.7
Layer Connector	314093	2.11 (54)	1.75 (44)	1.05 (27)	0.1
Remote Access Cover (Vented) - Ductile Iron (Load Class D400)	314133	-	Ø 20.79 (528)	4.33 (110)	83.6
Remote Access Cover (Non-Vented) - Ductile Iron (Load Class D400)	314132	-	Ø 20.79 (528)	4.33 (110)	86.5
Inspection Point Cover - Ductile Iron (Load Class D400)	314044	-	Ø 8.85 (225)	2.95 (75)	34.5
Remote Access Plate	314075	25.59 (650)	25.59 (650)	4.72 (120)	10.8
Remote Access Unit HD	27034	23.39 (594)	23.39 (594)	19.57 (497)	40.0
Remote Access Unit HD with Adapter Plate	138140	24.41 (620)	23.39 (594)	24.02 (610)	71.0
Extension Shaft	314038	-	Ø 17.20 (437)	13.77 (350)	4.8
Extension Shaft with Pipe Socket	314039	-	Ø 17.20 (437)	13.77 (350)	6.2
Vertical Inspection Point Connector	27018	-	Ø 8.85* (225)	7.87 (200)	5.5
4" HDR 35 Horizontal Pipe Connector	93139	8.00 (203)	6.70 (170)	8.25 (209)	1.9
4" SCH 40 Horizontal Pipe Connector	93145	8.00 (203)	6.70 (170)	8.29 (210)	1.9
6" HDR 35 Horizontal Pipe Connector	93140	8.00 (203)	10.22 (259)	9.93 (252)	3.2
6" SCH 40 Horizontal Pipe Connector	93146	8.00 (203)	10.22 (259)	9.93 (252)	3.2
8" HDR 35 Horizontal Pipe Connector	93141	8.00 (203)	11.64 (295)	11.39 (289)	5.5
8" SCH 40 Horizontal Pipe Connector	93147	8.00 (203)	11.64 (295)	11.39 (289)	5.5
12" HDR 35 Horizontal Pipe Connector	93142	8.00 (203)	16.66 (423)	14.30 (363)	5.5
15" SCH 40 Horizontal Pipe Connector	93144	8.00 (203)	19.25 (489)	19.25 (489)	5.5

* Internal width

Specification Summary

General

The StormBrixx stormwater management system shall be ACO StormBrixx HD as supplied by ACO, Inc.

ACO StormBrixx HD meets AASHTO H-25 and HS-25 loading conditions.

Geomembranes/Geotextiles

The StormBrixx stormwater system shall be wrapped in either appropriate permeable geotextile or impermeable geomembrane (supplied and specified by others) as indicated by project design engineer.

Accessories

The StormBrixx stormwater system may be used in conjunction with one or more optional products: remote access unit, remote access plate extension shaft, and/or inspection point connector.

Installation

The StormBrixx stormwater system shall be installed in strict accordance with the manufacturer's installation instructions and recommendations.

Materials

The half-module shall be manufactured from polypropylene and have minimum properties as follows:

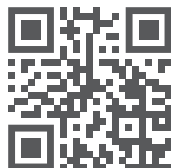
- Tensile impact strength: 152 ft-lb/in² (319 kJ/m²)
- Tensile strength, ultimate: 3,480 psi (23,994 kPa)
- Minimum compressive failure: 66.0 psi (455 kPa)
- Water absorption: 0.01%
- Frost proof: YES
- Salt proof: YES
- Fuels/oils-resistant: YES

The stormwater tank shall provide an average 95% open area, holding up to 14.73 ft³ (0.42 m³) per module (2 half-modules assembled) and offer full access to all areas and levels for maintenance. Configuration and use of side/top panels will marginally impact these figures.

ACO, Inc.

© September 2024 ACO, Inc.

All reasonable care has been taken in compiling the information in this document. All recommendations and suggestions on the use of ACO products are made without guarantee since the conditions of use are beyond the control of the company. It is the customer's responsibility to ensure that each product is fit for its intended purpose and that the actual conditions of use are suitable. ACO, Inc. reserves the right to change products and specifications without notice.



Telephone #: 888.490.9552



ACO Specification Information