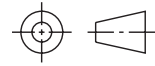
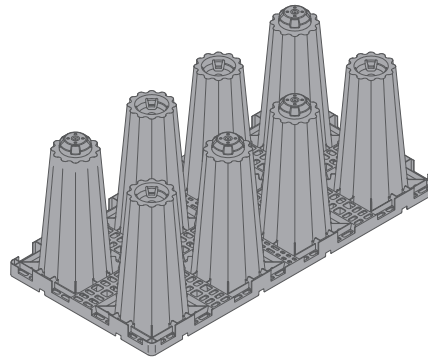
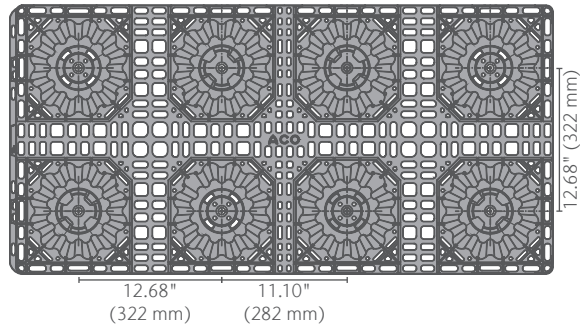
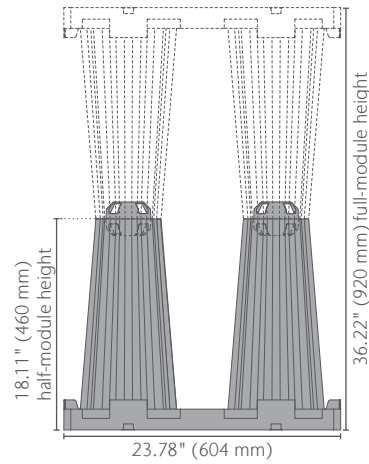
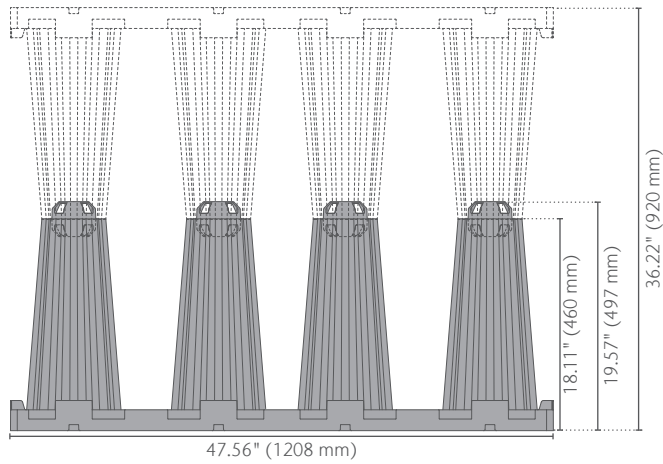


StormBrixx 900 SD



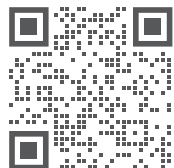
Half-Module 900 SD

part no. 138464



Note: (2) half-modules are connected to form (1) full-module. (1) side panel fits (1) full-module.

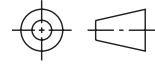
ACO Specification Information



Telephone #: 888.490.9552

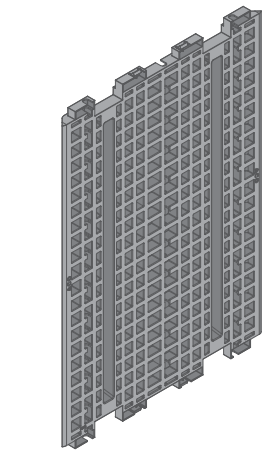
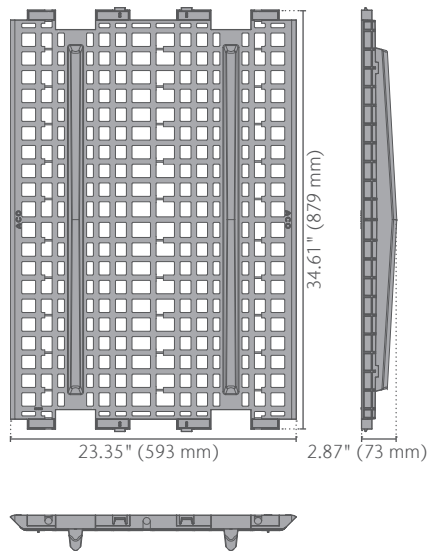


StormBrixx 900 SD



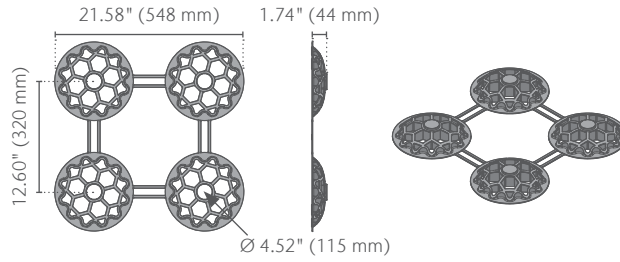
Side Panel 900 SD

part no. 138463



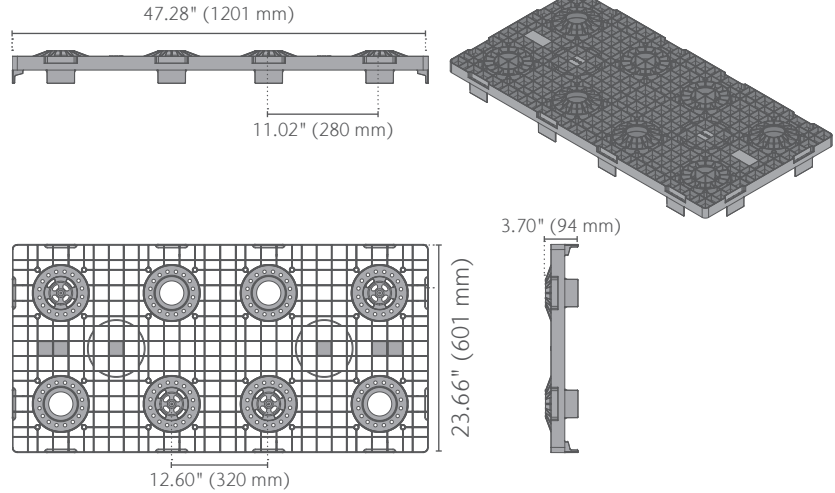
Universal Top Cover

part no. 140213



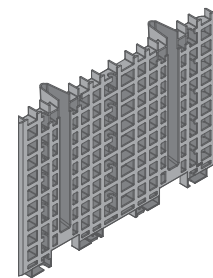
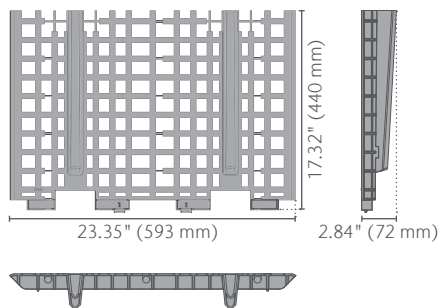
Half-Layer Top Plate

part no. 314094

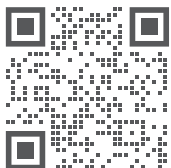


Half-Layer Side Panel

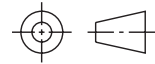
part no. 138567



ACO Specification Information

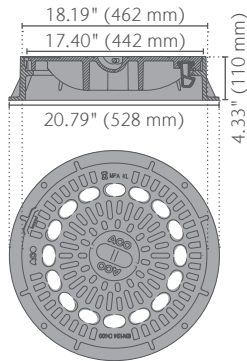


StormBrixx 900 SD



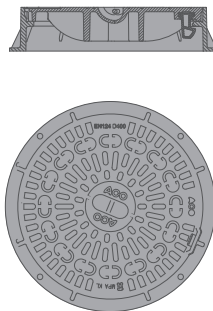
Remote Access Cover (Vented)

part no. 314133



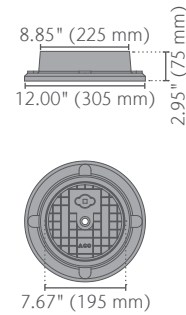
Remote Access Cover (Non-Vented)

part no. 314132



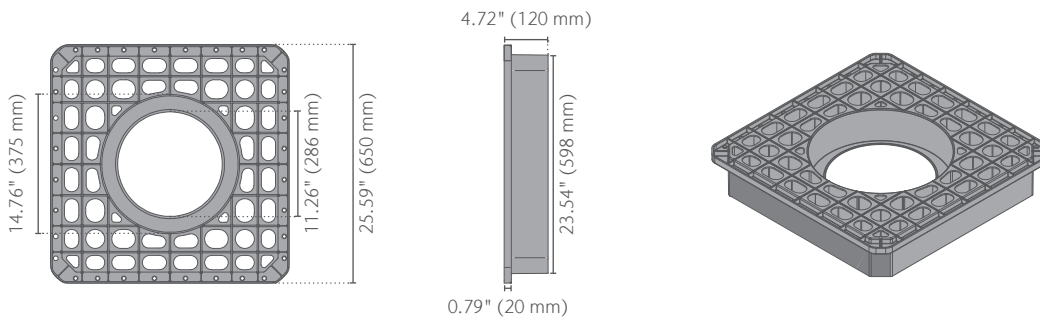
Inspection Point Cover

part no. 314044



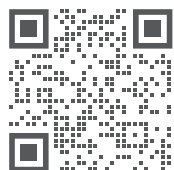
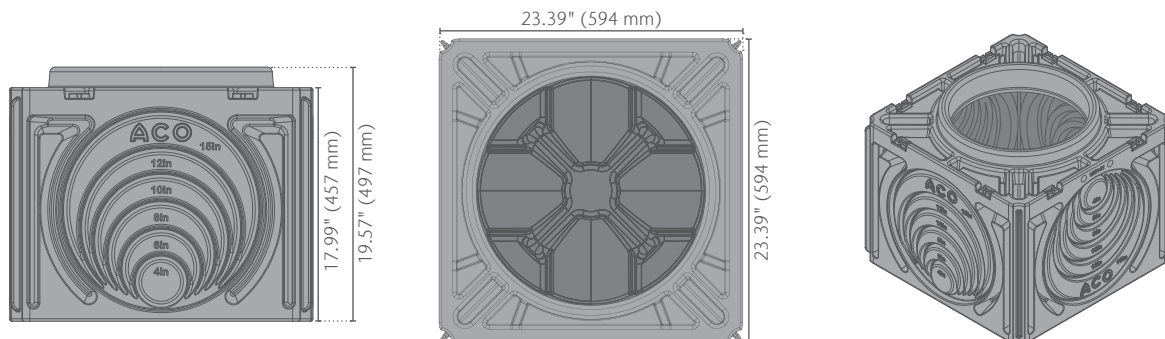
Remote Access Plate

part no. 314075



Remote Access Unit 900 SD

part no. 138141

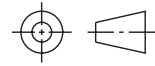


Telephone #: 888.490.9552



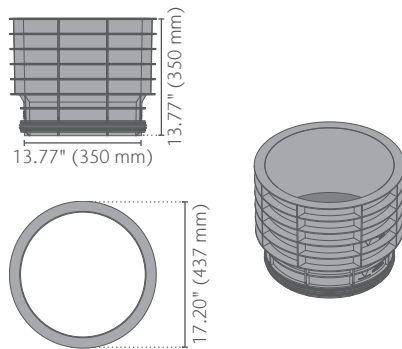
ACO Specification Information

StormBrixx 900 SD



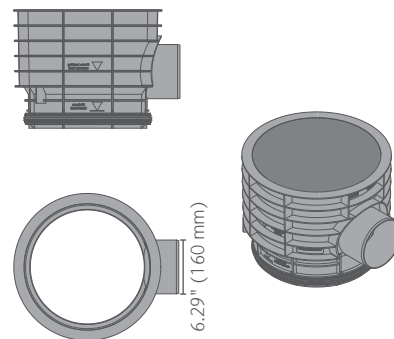
Extension Shaft

part no. 314038



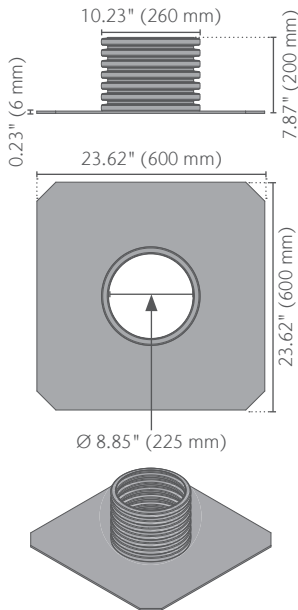
Extension Shaft with Pipe Socket

part no. 314039



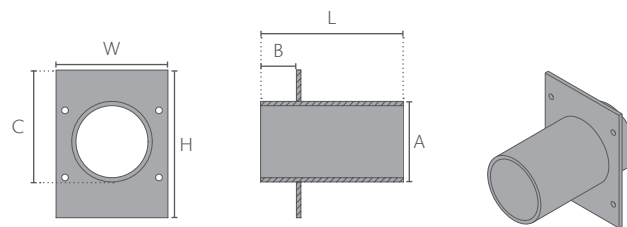
Vertical Inspection Point Connector

part no. 27018

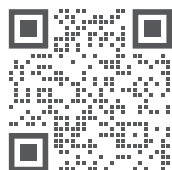


Horizontal Pipe Connector

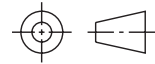
part no.: see chart



Part No.	A	B	C	H	W	L
		in (mm)	in (mm)	in (mm)	in (mm)	in (mm)
93139	4" SDR 35	2.00 (51)	6.25 (158)	8.25 (209)	6.70 (170)	8.00 (203)
93145	4" SCH 40	2.00 (51)	7.47 (189)	8.29 (210)	6.70 (170)	8.00 (203)
93140	6" SDR 35	2.00 (51)	8.95 (227)	9.93 (252)	10.22 (259)	8.00 (203)
93146	6" SCH 40	2.00 (51)	9.11 (231)	9.93 (252)	10.22 (259)	8.00 (203)
93141	8" SDR 35	2.00 (51)	10.46 (265)	11.39 (289)	11.64 (295)	8.00 (203)
93147	8" SCH 40	2.00 (51)	10.57 (268)	11.39 (289)	11.64 (295)	8.00 (203)
93142	12" SDR 35	2.00 (51)	13.48 (342)	14.30 (363)	16.66 (423)	8.00 (203)
93144	15" SCH 40	2.00 (51)	17.28 (439)	19.25 (489)	19.25 (489)	8.00 (203)



StormBrixx 900 SD



Product Details

Product Name	Part No.	Length in (mm)	Width in (mm)	Depth in (mm)	Weight lbs
Half-Module 900 SD	138464	47.56 (1208)	23.78 (604)	19.57 (497)	28.4
Side Panel 900 SD	138463	34.61 (879)	23.35 (593)	2.87 (73)	6.6
Universal Top Cover	140213	21.58 (548)	21.58 (548)	1.74 (44)	1.3
Half-Layer Top Plate	314094	47.28 (1201)	23.66 (601)	3.70 (94)	7.7
Half-Layer Side Panel	138567	17.32 (440)	23.35 (593)	2.84 (72)	3.4
Layer Connector	314093	2.11 (54)	1.75 (44)	1.05 (27)	0.1
Remote Access Cover (Vented) - Ductile Iron (Load Class D400)	314053	-	Ø 20.79 (528)	4.33 (110)	83.6
Remote Access Cover (Non-Vented) - Ductile Iron (Load Class D400)	314132	-	Ø 20.79 (528)	4.33 (110)	86.5
Inspection Point Cover - Ductile Iron (Load Class D400)	314044	-	Ø 8.85 (225)	2.95 (75)	34.5
Remote Access Plate	314075	25.59 (650)	25.59 (650)	4.72 (120)	10.8
Remote Access Unit 900 SD	138141	23.39 (594)	23.39 (594)	19.57 (497)	40.0
Extension Shaft	314038	-	Ø 17.20 (437)	13.77 (350)	4.8
Extension Shaft with Pipe Socket	314039	-	Ø 17.20 (437)	13.77 (350)	6.2
Vertical Inspection Point Connector	27018	-	Ø 8.85* (225)	7.87 (200)	5.5
4" SDR 35 Horizontal Pipe Connector	93139	8.00 (203)	6.70 (170)	8.25 (209)	1.9
4" SCH 40 Horizontal Pipe Connector	93145	8.00 (203)	6.70 (170)	8.29 (210)	1.9
6" SDR 35 Horizontal Pipe Connector	93140	8.00 (203)	10.22 (259)	9.93 (252)	3.2
6" SCH 40 Horizontal Pipe Connector	93146	8.00 (203)	10.22 (259)	9.93 (252)	3.2
8" SDR 35 Horizontal Pipe Connector	93141	8.00 (203)	11.64 (295)	11.39 (289)	5.5
8" SCH 40 Horizontal Pipe Connector	93147	8.00 (203)	11.64 (295)	11.39 (289)	5.5
12" SDR 35 Horizontal Pipe Connector	93142	8.00 (203)	16.66 (423)	14.30 (363)	5.5
15" SCH 40 Horizontal Pipe Connector	93144	8.00 (203)	19.25 (489)	19.25 (489)	5.5

* Internal width

Specification Summary

General

The StormBrixx stormwater management system shall be ACO StormBrixx 900 SD as supplied by ACO, Inc.

ACO StormBrixx 900 SD meets AASHTO H-20 and HS-20 loading conditions.

Geomembranes/Geotextiles

The StormBrixx stormwater system shall be wrapped in either appropriate permeable geotextile or impermeable geomembrane (supplied and specified by others) as indicated by project design engineer.

Accessories

The StormBrixx stormwater system may be used in conjunction with one or more optional products: remote access unit, remote access plate extension shaft, and/or inspection point connector.

Installation

The StormBrixx stormwater system shall be installed in strict accordance with the manufacturer's installation instructions and recommendations.

Materials

The half-module shall be manufactured from polypropylene and have minimum properties as follows:

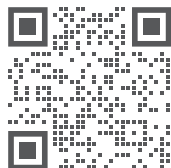
- Tensile impact strength: 152 ft-lb/in² (319 kJ/m²)
- Tensile strength, ultimate: 3,480 psi (23,994 kPa)
- Minimum short-term compressive strength: 50.8 psi (350 kPa)
- Water absorption: 0.01%
- Frost proof: YES
- Salt proof: YES
- Fuels/oils-resistant: YES

The stormwater tank shall provide an average 97% open area, holding up to 22.99 ft³ (0.65 m³) per module (2 half-modules assembled) and offer full access to all areas and levels for maintenance. Configuration and use of side/top panels will marginally impact these figures.

ACO, Inc.

© September 2024 ACO, Inc.

All reasonable care has been taken in compiling the information in this document. All recommendations and suggestions on the use of ACO products are made without guarantee since the conditions of use are beyond the control of the company. It is the customer's responsibility to ensure that each product is fit for its intended purpose and that the actual conditions of use are suitable. ACO, Inc. reserves the right to change products and specifications without notice.



Telephone #: 888.490.9552



ACO Specification Information