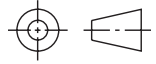
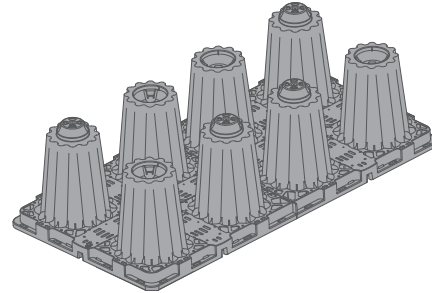
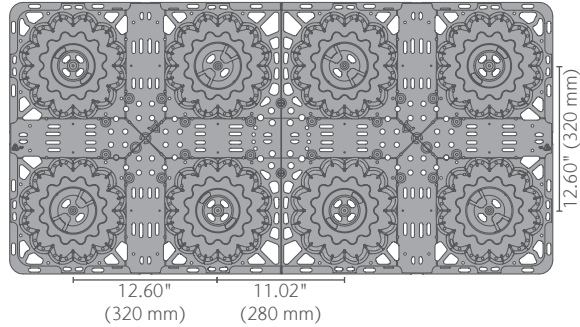
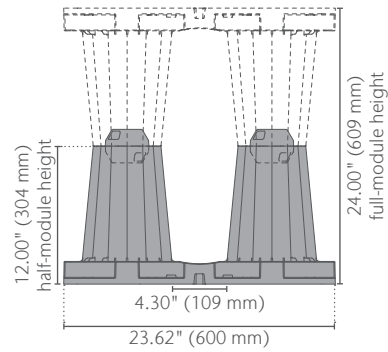
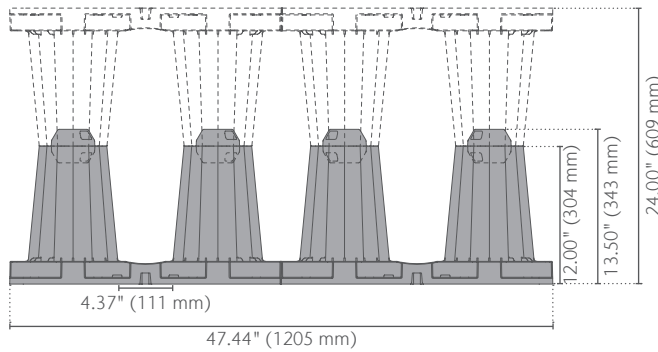


# StormBrixx HD



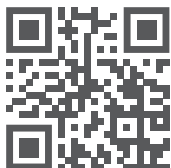
## Half-Module HD

part no. 314061

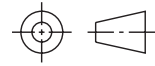


Note: (2) half-modules are connected to form (1) full-module. (1) side panel fits (1) full-module.

ACO Specification Information

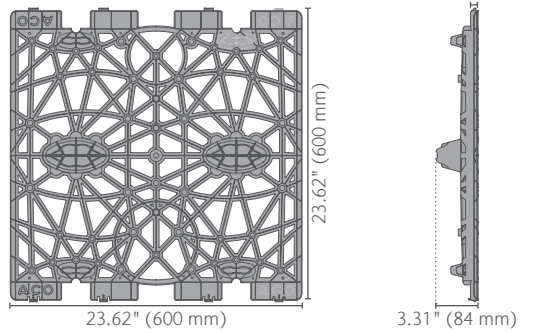


# StormBrixx HD



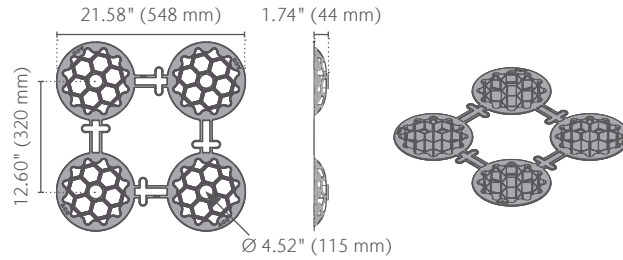
## Side Panel HD

part no. 314062



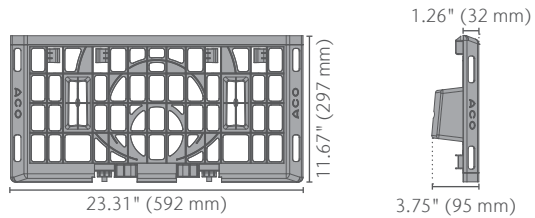
## Universal Top Cover

part no. 140213



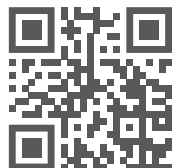
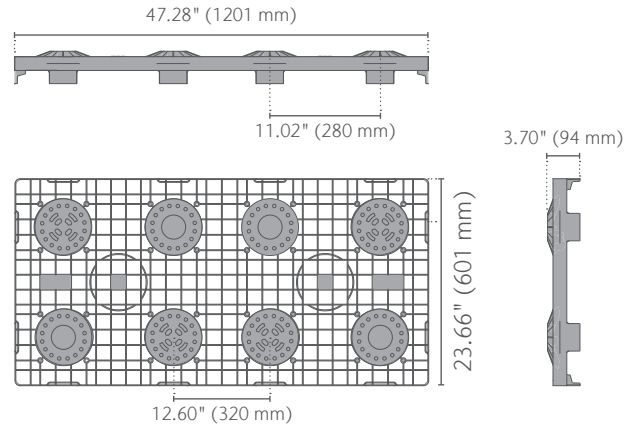
## Half-Layer Side Panel HD

part no. 314095

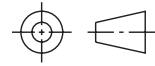


## Half-Layer Top Cover

part no. 314094

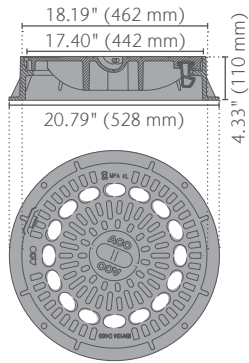


# StormBrixx HD



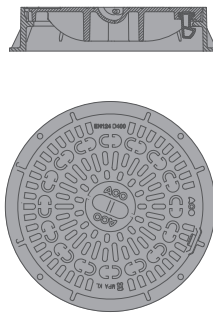
## Remote Access Cover (Vented)

part no. 314053



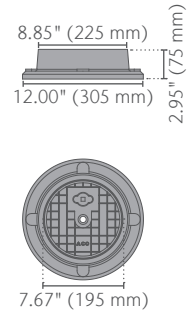
## Remote Access Cover (Non-Vented)

part no. 314043



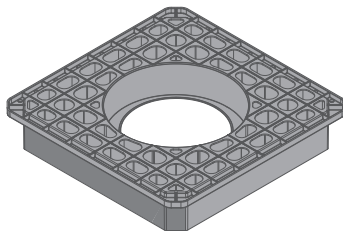
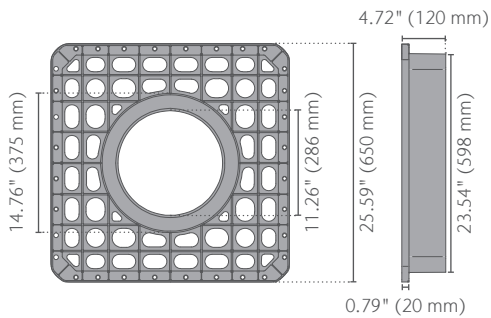
## Inspection Point Cover

part no. 314044



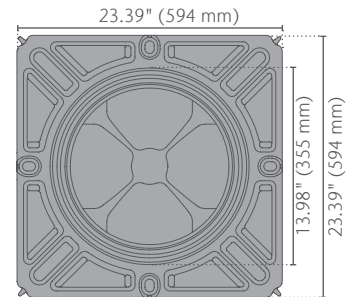
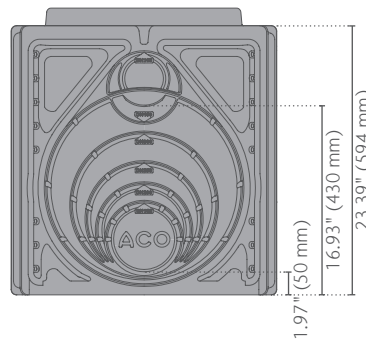
## Remote Access Plate

part no. 314075



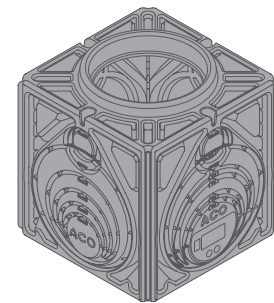
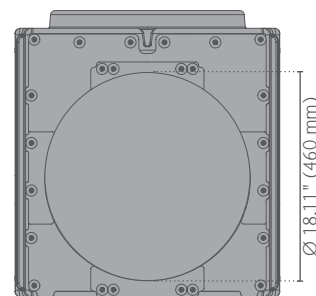
## Remote Access Unit HD

part no. 27034

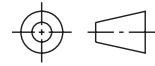


## Remote Access Unit HD with Adapter Plate

part no. 138140

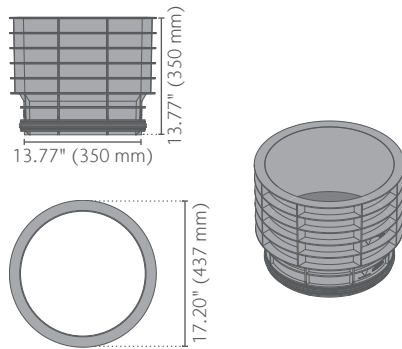


# StormBrixx HD



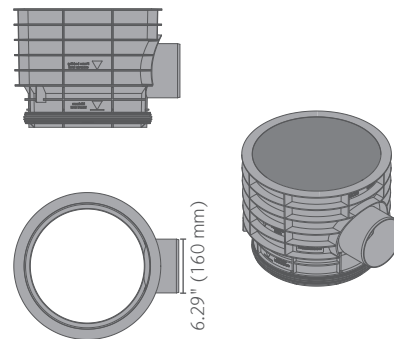
## Extension Shaft

part no. 314038



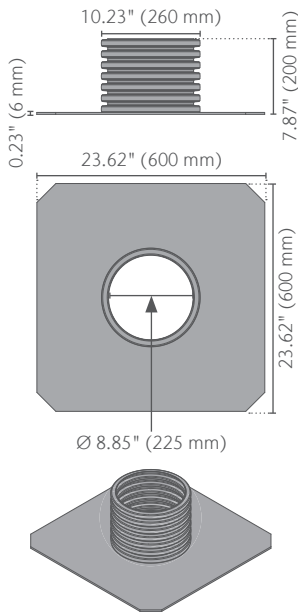
## Extension Shaft with Pipe Socket

part no. 314039



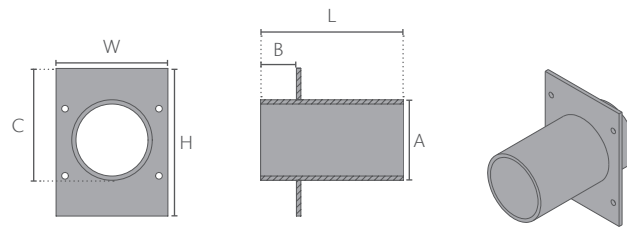
## Vertical Inspection Point Connector

part no. 27018



## Horizontal Pipe Connector

part no.: see chart



Part No.	A	B	C	H	W	L
		in (mm)	in (mm)	in (mm)	in (mm)	in (mm)
<b>93139</b>	4" HDR 35	2.00 (51)	6.25 (158)	8.25 (209)	6.70 (170)	8.00 (203)
<b>93145</b>	4" SCH 40	2.00 (51)	7.47 (189)	8.29 (210)	6.70 (170)	8.00 (203)
<b>93140</b>	6" HDR 35	2.00 (51)	8.95 (227)	9.93 (252)	10.22 (259)	8.00 (203)
<b>93146</b>	6" SCH 40	2.00 (51)	9.11 (231)	9.93 (252)	10.22 (259)	8.00 (203)
<b>93141</b>	8" HDR 35	2.00 (51)	10.46 (265)	11.39 (289)	11.64 (295)	8.00 (203)
<b>93147</b>	8" SCH 40	2.00 (51)	10.57 (268)	11.39 (289)	11.64 (295)	8.00 (203)
<b>93142</b>	12" HDR 35	2.00 (51)	13.48 (342)	14.30 (363)	16.66 (423)	8.00 (203)
<b>93144</b>	15" SCH 40	2.00 (51)	17.28 (439)	19.25 (489)	19.25 (489)	8.00 (203)

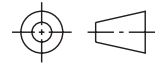


Telephone #: 888.490.9552



ACO Specification Information

# StormBrixx HD



## Product Details

Product Name	Part No.	Length in (mm)	Width in (mm)	Depth in (mm)	Weight lbs
Half-Module HD	<b>314061</b>	47.44 (1205)	23.78 (604)	13.50 (343)	22.4
Side Panel HD	<b>314062</b>	23.62 (600)	23.62 (600)	2.17 (55)	3.8
Half-Layer Side Panel HD	<b>314095</b>	23.31 (592)	11.67 (297)	1.26 (32)	2.0
Universal Top Cover	<b>140213</b>	21.58 (548)	21.58 (548)	1.74 (44)	1.6
Half-Layer Top Cover	<b>314094</b>	47.28 (1201)	23.66 (601)	3.70 (94)	7.7
Layer Connector	<b>314093</b>	2.11 (54)	1.75 (44)	1.05 (27)	0.1
Remote Access Cover (Vented) - Ductile Iron (Load Class D400)	<b>314053</b>	-	Ø 20.79 (528)	4.33 (110)	83.6
Remote Access Cover (Non-Vented) - Ductile Iron (Load Class D400)	<b>314043</b>	-	Ø 20.79 (528)	4.33 (110)	86.5
Inspection Point Cover - Ductile Iron (Load Class D400)	<b>314044</b>	-	Ø 8.85 (225)	2.95 (75)	34.5
Remote Access Plate	<b>314075</b>	25.59 (650)	25.59 (650)	4.72 (120)	10.8
Remote Access Unit HD	<b>27034</b>	23.39 (594)	23.39 (594)	19.57 (497)	40.0
Remote Access Unit HD with Adapter Plate	<b>138140</b>	24.41 (620)	23.39 (594)	24.02 (610)	71.0
Extension Shaft	<b>314038</b>	-	Ø 17.20 (437)	13.77 (350)	4.8
Extension Shaft with Pipe Socket	<b>314039</b>	-	Ø 17.20 (437)	13.77 (350)	6.2
Vertical Inspection Point Connector	<b>27018</b>	-	Ø 8.85* (225)	7.87 (200)	5.5
4" HDR 35 Horizontal Pipe Connector	<b>93139</b>	8.00 (203)	6.70 (170)	8.25 (209)	1.9
4" SCH 40 Horizontal Pipe Connector	<b>93145</b>	8.00 (203)	6.70 (170)	8.29 (210)	1.9
6" HDR 35 Horizontal Pipe Connector	<b>93140</b>	8.00 (203)	10.22 (259)	9.93 (252)	3.2
6" SCH 40 Horizontal Pipe Connector	<b>93146</b>	8.00 (203)	10.22 (259)	9.93 (252)	3.2
8" HDR 35 Horizontal Pipe Connector	<b>93141</b>	8.00 (203)	11.64 (295)	11.39 (289)	5.5
8" SCH 40 Horizontal Pipe Connector	<b>93147</b>	8.00 (203)	11.64 (295)	11.39 (289)	5.5
12" HDR 35 Horizontal Pipe Connector	<b>93142</b>	8.00 (203)	16.66 (423)	14.30 (363)	5.5
15" SCH 40 Horizontal Pipe Connector	<b>93144</b>	8.00 (203)	19.25 (489)	19.25 (489)	5.5

\* Internal width

## Specification Summary

### General

The StormBrixx stormwater management system shall be ACO StormBrixx HD as supplied by ACO, Inc.

ACO StormBrixx HD meets AASHTO H-25 and HS-25 loading conditions.

### Geomembranes/Geotextiles

The StormBrixx stormwater system shall be wrapped in either appropriate permeable geotextile or impermeable geomembrane (supplied and specified by others) as indicated by project design engineer.

### Accessories

The StormBrixx stormwater system may be used in conjunction with one or more optional products: remote access unit, remote access plate extension shaft, and/or inspection point connector.

### Installation

The StormBrixx stormwater system shall be installed in strict accordance with the manufacturer's installation instructions and recommendations.

### Materials

The half-module shall be manufactured from polypropylene and have minimum properties as follows:

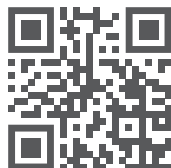
- Tensile impact strength: 152 ft-lb/in<sup>2</sup> (319 kJ/m<sup>2</sup>)
- Tensile strength, ultimate: 3,480 psi (23,994 kPa)
- Minimum compressive failure: 66.0 psi (455 kPa)
- Water absorption: 0.01%
- Frost proof: YES
- Salt proof: YES
- Fuels/oils-resistant: YES

The stormwater tank shall provide an average 95% open area, holding up to 14.73 ft<sup>3</sup> (0.42 m<sup>3</sup>) per module (2 half-modules assembled) and offer full access to all areas and levels for maintenance. Configuration and use of side/top panels will marginally impact these figures.

## ACO, Inc.

© February 2024 ACO, Inc.

All reasonable care has been taken in compiling the information in this document. All recommendations and suggestions on the use of ACO products are made without guarantee since the conditions of use are beyond the control of the company. It is the customer's responsibility to ensure that each product is fit for its intended purpose and that the actual conditions of use are suitable. ACO, Inc. reserves the right to change products and specifications without notice.



Telephone #: 888.490.9552



ACO Specification Information