

ACO Self

Residential & Landscape Products

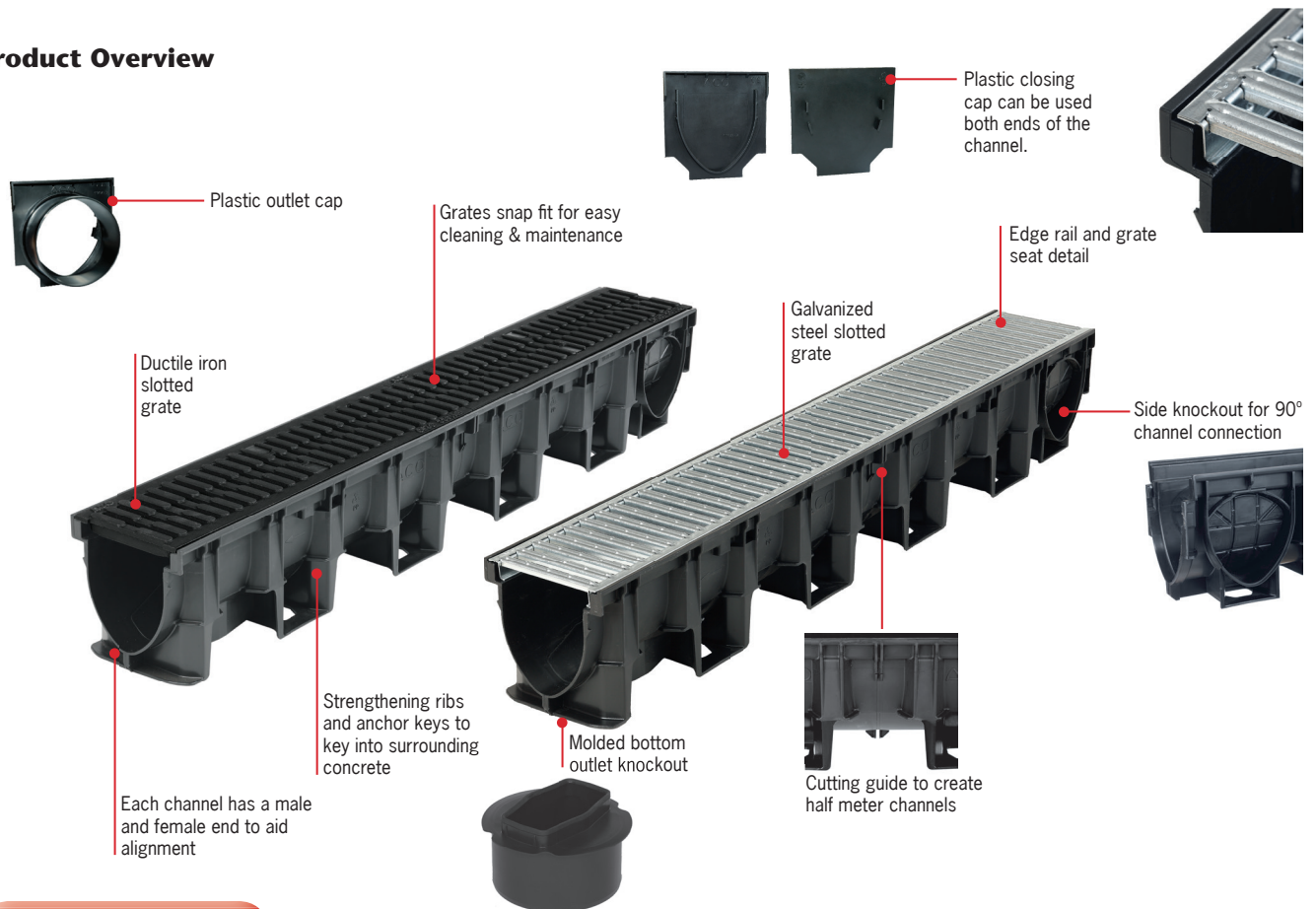
ACO GalaLine is a light to medium duty trench drain designed to provide an effective solution for a wide variety of semi-professional applications while using the minimum number of components.

Suitable for pedestrian/light vehicle/light commercial traffic applications such as:

- Residential driveways
- Patios
- Walkways
- Basements
- Pools
- Light Commercial
- Private & Public Parking
- Schools



Product Overview



[Shop Online!](#)

www.acoself.com

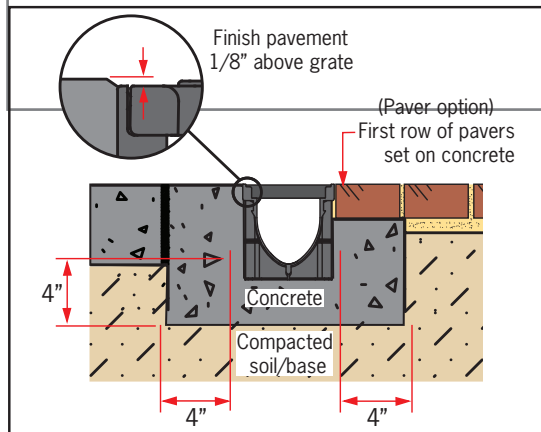
For heavier duty sloped trench drain requirements use ACO Drain.



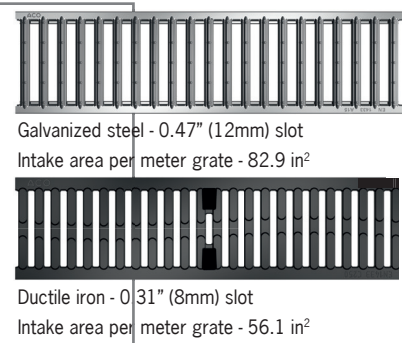
Part Table

	Part No.	Length inches	Width inches	Height inches	Wgt. lbs.
Plastic GalaLine channel (1 meter)	11440	39.4	5.4	6.0	3.9
Galvanized steel slotted grate (1 meter)	11445	39.4	5.4	-	3.45
Ductile iron grate* 0.5m	11450	39.4	5.4	-	6.7
Bottom outlet 4" pipe	11285	-	-	-	2.6
Bottom outlet 6" pipe	11286	-	-	-	3.0
Closing cap	11433	-	5.4	6.0	0.2
Outlet cap 4" pipe	11434	-	5.4	6.0	0.2
Accessory Pack - 2 end caps, 1 outlet cap	11438	-	-	-	0.5
* 2 grates needed to fill 1 meter channel.	11438	-	-	-	0.5

Installation Instructions



Grates



Accessories



Excavate area to accommodate trench drain and 4" concrete surround, compact base.



Cut channels to fit required length (if necessary).



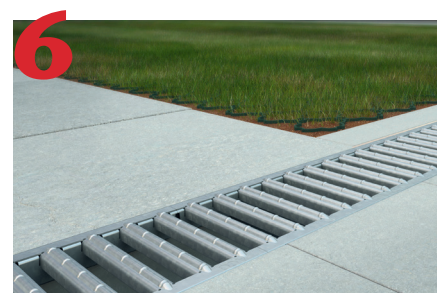
Knockout channel base for outlet at required position.



Push-fit outlet adaptor into bottom of channel, lay outlet channel first and connect to 4" or 6" SDR or schedule 40 pipe (Adaptor required for Sch 40).



Lay 4" deep concrete bed. Lay channels working away from outlet. Concrete surround should extend up channel sides into recesses to hold channel in place.



Finish pavement/pavers must be 1/8" higher than the grate.

For pedestrian **ONLY** applications, trench drain can be set directly on well compacted ground. For driveway applications, trench drain **MUST** be surrounded by 4" of concrete. **ACO, Inc.**

West Sales Office
825 W. Beechcraft St.
Casa Grande, AZ 85122
Tel: (520) 421-9988
Toll Free: (888) 490-9552
Fax: (520) 421-9899

Northeast Sales Office
9470 Pinecone Drive
Mentor, OH 44060
Tel: (440) 639-7230
Toll Free: (800) 543-4764
Fax: (440) 639-7235

Southeast Sales Office
4211 Pleasant Road
Fort Mill, SC 29708
Toll Free: (800) 543-4764
Fax: (803) 802-1063

Electronic Contact:
info@acousa.com
www.acoself.com

© May 2018 ACO, Inc.

All reasonable care has been taken in compiling the information in this document. All recommendations and suggestions on the use of ACO products are made without guarantee since the conditions of use are beyond the control of the company. It is the customer's responsibility to ensure that each product is fit for its intended purpose and that the actual conditions of use are suitable. ACO, Inc. reserves the right to change products and specifications without notice.

Re-order Part # MK028 v1.0

